

Technical Specifications (continued)

Construction

Maximum Ambient Temperature:

Suitable for use in up to 40°C (104°F)

Finish:

Formulated for high durability and long-lasting color

LED Characteristics

LEDs:

Long-life, high-efficacy, surface-mount LEDs

Color Uniformity:

RAB's range of Correlated Color Temperature follows the guidelines of the American National Standard for Specifications for the Chromaticity of Solid State Lighting (SSL) Products, ANSI C78.377-2017.

Electrical

Driver:

Constant Current, Class 2, 120-277V, 50/60 Hz, 120V: 0.31A, 208V: 0.18A, 240V: 0.15A, 277V: 0.14A

THD:

3.58% at 120V, 4.17% at 277V

Power Factor:

99.9% at 120V, 97.6% at 277V

Surge Protection:

4kV

Performance

Lifespan:

100,000-Hour LED lifespan based on IES LM-80 results and TM-21 calculations

Other

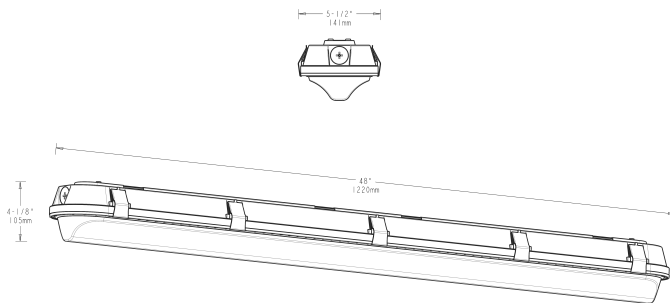
Warranty:

RAB warrants that our LED products will be free from defects in materials and workmanship for a period of five (5) years from the date of delivery to the end user, including coverage of light output, color stability, driver performance and fixture finish. RAB's warranty is subject to all terms and conditions found at rablighting.com/warranty.

Buy American Act Compliance:

RAB values USA manufacturing! Upon request, RAB may be able to manufacture this product to be compliant with the Buy American Act (BAA). Please contact customer service to request a quote for the product to be made BAA compliant.

Dimensions



Features

Impact-resistant linear washdown

Ideal for tunnels and stairwells

Mounting options: Chain, junction box, angled surface mount or vandal-resistant surface mount

IP66 Rating protects against dust & water ingress

5-Year, No-Compromise Warranty

100,000-Hour LED lifespan

Ordering Matrix

Family	Length	UL Listing		Wattage	Color Temp	Finish	Driver Options	Options
SHARK	4		-	36	YN	W	/D10	
	2 = 2 ft. 4 = 4 ft 8 = 8 ft	Blank = Standard M = Marine Listed		18 = 18W (2 ft.) 25 = 25W (2 ft.) 36 = 36W (4 ft.) 50 = 50W (4 ft.) 70 = 70W (8 ft.) 100 = 100W (8 ft.)	Blank = 5000K Cool N = 4000K Neutral YN = 3500K Warm Neutral	W = White	/D10 = 0-10V Dimming, 120-277V /480/D10 = 0-10V Dimming, 480V	Blank = No Option /E2 = Battery Backup /LC = Lightcloud® Controller, 120-277V /LCS = Lightcloud® Sensor, 120-277V /MVS = Microwave Occupancy Sensor, 120-277V /LC/E2 = Lightcloud® Controller w/ Battery Backup, 120-277V /LCS/E2 = Lightcloud® Sensor w/ Battery Backup, 120-277V /MVS/E2 = Microwave Occupancy Sensor w/ Battery Backup, 120-277V